

DATA SHEET

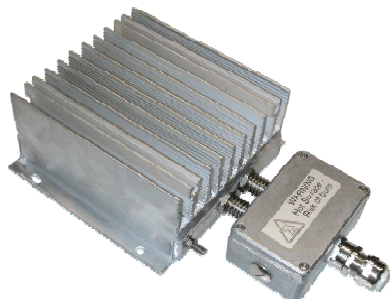


Resistors GmbH

Series:

GWK

Compact Resistor
with terminal box



Applications:

- As braking and chopper resistors
- In variable-speed drives
- In lifts and conveyors
- In the printing and paper industries
- In the packing, plastics and textile industries and in machine construction
- In the wire and wood processing industries

Types		GWK 150	GWK 200	GWK 300	GWK 500
Pulse power $T_U=40^\circ\text{C}$ 	c.d.f. 5%*	14,0 kW	16,0 kW	20,0 kW	22,0 kW
	c.d.f. 10%*	7,5 kW	8,0 kW	10,0 kW	13,0 kW
	c.d.f. 20%*	4,0 kW	4,2 kW	5,0 kW	8,0 kW
	c.d.f. 40%*	2,0 kW	2,1 kW	2,5 kW	4,0 kW
	Continuous rating at $T_U=40^\circ\text{C}$	1,0 kW	1,2 kW	1,5 kW	2,0 kW
	Pulse power Continuous rating at $T_U=40^\circ\text{C}$	In case of a horizontal installation the above performance are reduced by 20%.			
Mean energy absorption capacity 5% - 40% c.d.f.		90 kW _s	100 kW _s	120 kW _s	190 kW _s
Weight		3,0 kg	4,0 kg	5,5 kg	9,0 kg
Resistance values		2,2 - 150 Ω	4 - 180 Ω	6 - 180 Ω	7 - 180 Ω
Resistance tolerance		$\pm 10\%$			
Connection		3 x 2,5 mm ² , EMC-Cable gland, Cable \varnothing 10-13 mm			
Degree of protection (DIN EN 60529)		IP 66			
Housing temperature at nominal rating $T_U=40^\circ\text{C}$		$\leq 400^\circ\text{C}$			
Cooling		Natural convection			
Storage temperature		-25 ... +85 $^\circ\text{C}$			
Insulation resistance		$\geq 10\text{ M}\Omega$			
Test voltage		= 4,5 kV AC			
Max. permissible operating voltage		$\leq 1,0\text{ kV}$			
Temperature coefficient of resistance material		+300 ... +400 $10^{-6}/\text{K}$			
Inductance at 100 kHz		3 ... 300 μH			
Approvals		UL			
Mounting positions					

* referred to a cycle duration of 120 s

Subjekt to technical modifications

www.heine-resistors.com



pr\data sheet gwk_mkk_ip66.doc\10/01/2005

DATA SHEET

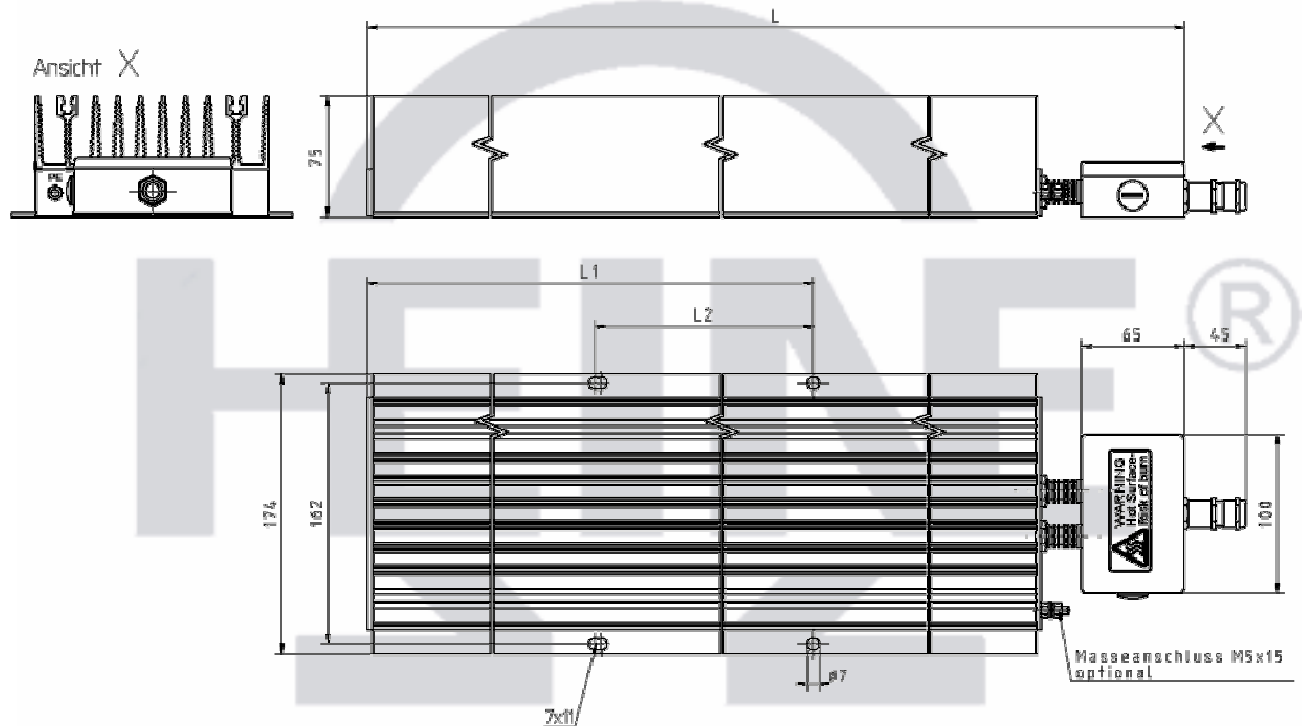


Resistors GmbH

Series:
GWK
 Compact resistor
 with terminal box

The compact, intrinsically safe type series uses a high-quality resistance alloy which is embedded in a special ceramic base contained in an extruded sectional aluminium housing. This design ensures a high energy absorption capacity. The very high degree of protection is achieved by the fact that the housing and cover are in close contact with each other.

Drawing:



Resistors GmbH

Subject to technical modifications

Dimensions:

GWK 150:	260 x 174 x 75 (LxWxH)	L1: 138	L2: 110
GWK 200:	310 x 174 x 75 (LxWxH)	L1: 188	L2: 160
GWK 300:	410 x 174 x 75 (LxWxH)	L1: 238	L2: 160
GWK 500:	610 x 174 x 75 (LxWxH)	L1: 338	L2: 160

www.heine-resistors.com



pr_data sheet gwk_mkk_ip66.doc 10/01/2005