



- 1U High
- Up to 3000W (3 units) in 19" Rack
- Hotswap capable (Oring Diodes Built In)
- Low Cost
- PoE Option

Key Market Segments & Applications

Power for Distributed Power Architecture
 Factory Automation
 RF Amplifiers

FPS1000 Series
1000W Front End Power Supplies

FPS Features and Benefits

Features

- 1U High
- Hotswap capable
- High Efficiency
- Full Array of Signals

Benefits

- Lower Cost of Ownership
- Suitable for N+1 Redundancy
- Less Heat Dissipated in System
- Easier System Monitoring

Specifications

ITEMS	MODELS	12V Nominal	24V Nominal	32V Nominal	48V Nominal
Output Voltage Range	(1) V	10.5 - 13.2	21.5 - 29V	28.8 - 38.4V	43 - 58V
Output Current	A	72A	40A	31A	21A
Line Regulation	-	<0.4%			
Load Regulation	-	<0.8%			
Output Noise	mV	150mV	200mV	250mV	300mV
Oversvoltage Protection	V	14.3 to 15.7	31 to 34V	41.5V to 45.5V	62 to 66V
Overcurrent Protection	-	105 - 125%, Constant Current type			
Load Sharing	-	Single wire current sharing, up to 8 units			
Remote Sense	-	Compenstates for 1V on each output lead			
I ² C Monitoring	-	Optional (Specify /S)			
Signals (opto isolated)	-	DC OK, AC Fail, and Overtemperature warning, high on fail			
Remote On/Off	-	On: 0 - 0.6V or short, Off: 2- 15V or open			
Auxiliary Output	-	11.2-12.5VDC 0.25A			
AC Input	(2) -	85 - 265VAC, 47 - 63Hz ² , 120-360VDC. (Derate 10% < 100VAC)			
Leakage Current	mA	<1.1mA at 230VAC input			
Inrush Current	A	<40A			
Hold up time (100VAC input)	-	20ms typical (800W loading)			
Efficiency (typ) 100/200VAC	-	81 / 83%	84 / 86%	84 / 86%	85 / 88%
Power Factor Correction	-	EN61000-3-2 class A (20-100% load), >0.98 at full load			
Immunity	-	EN61000-4-2, -3, -4, -5, -6, -11			
EMC (conducted and radiated)	-	EN55022, level B, FCC Class B			
Operating Temperature	°C	0 to +70°C, derate 2%/°C from 50 to 60°C, 2.5%/°C from 60 to 70°C			
Storage Temperature	°C	-30 to +85°C			
Withstand Voltage	-	Input to Output 3kVAC, Input to Output 2kVAC, Output to Ground 500VAC for 1 min.			
Cooling	-	Two internal fans, airflow from front to back (variable speed)			
Humidity	-	Operating: 10 - 90% RH, Storage: 10 - 95% RH (non condensing)			
Shock & Vibration	-	Meets ETS 300 019			
Safety Agency	-	UL60950-1, EN60950-1, CE Mark			
Input / Output Connector	-	Positronic PCB24W9M400A1 (Mating #PCIB24W9F400A1)			
Front panel indicators	-	AC OK, DC OK, DC Fail			
Size (LxWxH)	mm	Stand alone: 41 x 127 x 290; Rack: 44 x 400 x 351			
Weight	g	2,000			
Warranty	yr	Two Years			

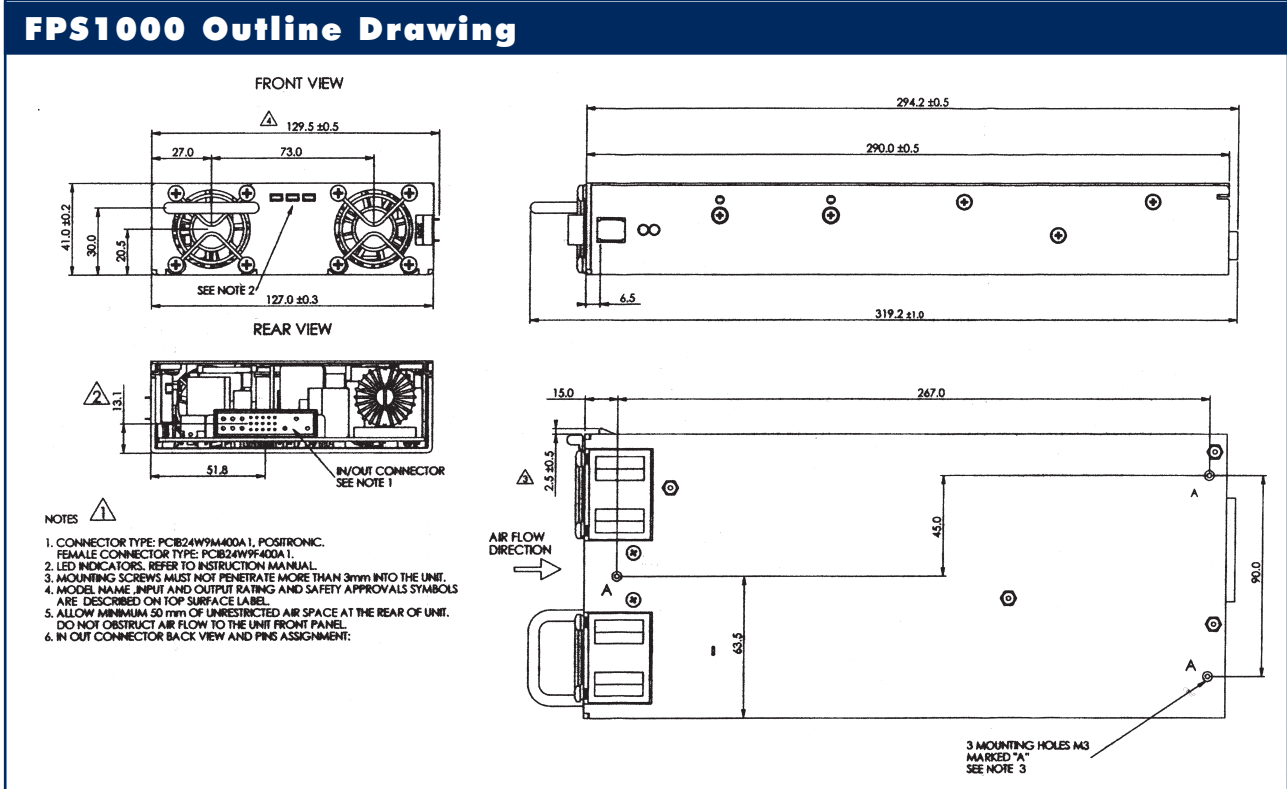
Note 1 : Via Trim pin on output connector

Note 2 : 47-440Hz with reduced PFC (100-265VAC)

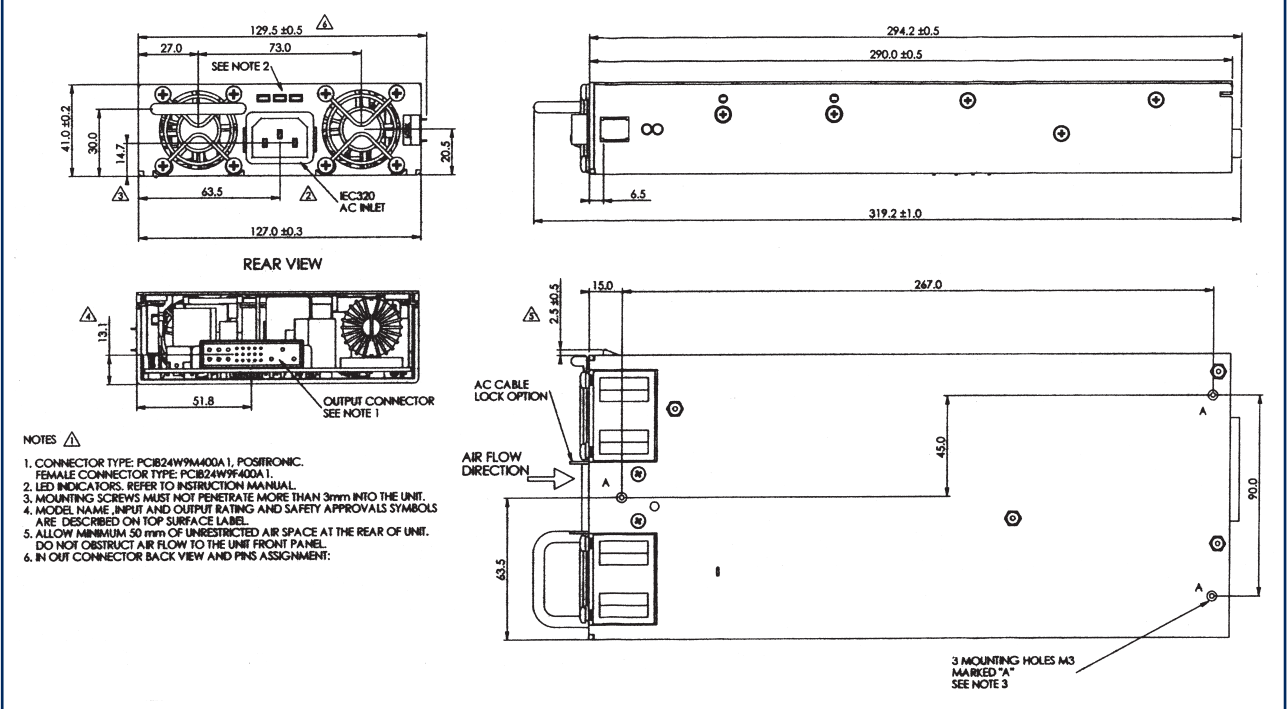
Model Number				
Front AC Input Panel Configuration	Output Voltage	Output Current	Max Power	I2C Interface
FPS100012/P	12V	72A	864W	No
FPS100012/PS	12V	72A	864W	Yes
FPS100024/P	24V	40A	960W	No
FPS100024/PS	24V	40A	960W	Yes
FPS100032/P	32V	31A	992W	No
FPS100032/PS	32V	31A	992W	Yes
FPS100048/P	48V	21A	1008W	No
FPS100048/PS	48V	21A </td <td>1008W</td> <td>Yes</td>	1008W	Yes
FPS1U/P	Rack (3 slot), contains two blanking panels			
FPST1U/P	Rack with 3 individual outputs (floating)			
Rear AC Input Panel Configuration	Output Voltage	Output Current	Max Power	I2C Interface
FPS100012	12V	72A	864W	No
FPS100012/S	12V	72A	864W	Yes
FPS100024	24V	40A	960W	No
FPS100024/S	24V	40A	960W	Yes
FPS100032	32V	31A	992W	No
FPS100032/S	32V	31A	992W	Yes
FPS100048	48V	21A	1008W	No
FPS100048/S	48V	21A	1008W	Yes
FPS1U	Rack (3 slot), contains two blanking panels			
FPST1U	Rack with 3 individual outputs (floating)			

Suffix	Description
/POE*	1500VAC Output to Ground Isolation (output noise 400mV)
*FPS100048 only	(Approvals: CE Mark, UL/TUV due June 2007)

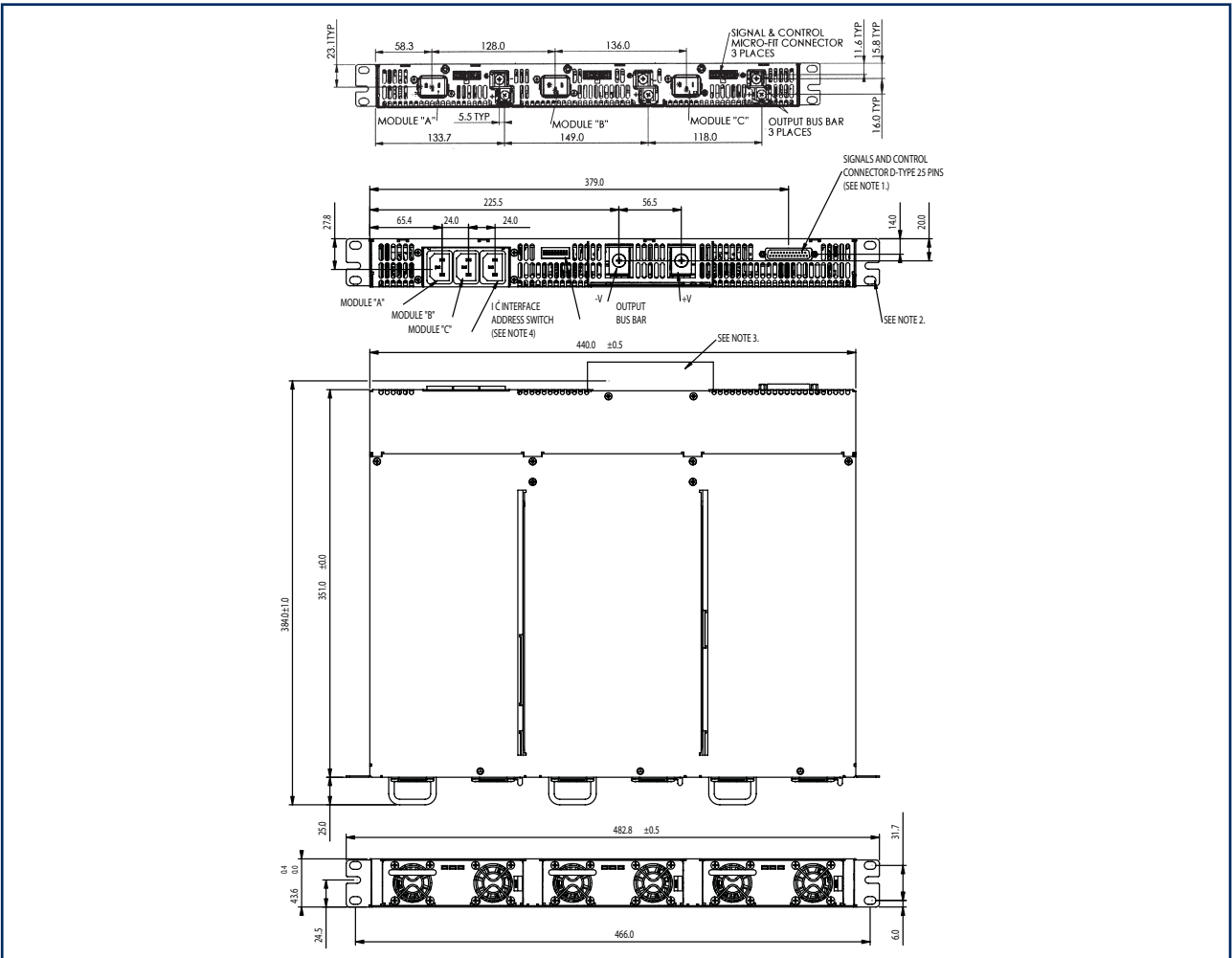
Full System (3 Modules & FPS s1U rack)		
FPS3000 -	XX	/ X
	12	BLANK = Standard
	24	S = 12C
	32	P = FRONT AC INPUT
	48	



FPS1000/P Outline Drawing



FPSS1U Outline Drawing



LAMBDA EUROPE

AUSTRIA		
LAMBDA ELECTRONICS GmbH Aredstraße 22 A-2544 Leobersdorf	Telephone: Facsimile:	+43 (0) 2256 655 84 +43 (0) 2256 645 12 www.lambda-austria.com
FRANCE		
LAMBDA SAS ZAC des Delaches, BP1077 - Gometz le Chatel 91940 Les Ulis	Telephone: Facsimile: Web:	+33 (0) 1 60 12 71 65 +33 (0) 1 60 12 71 66 www.lambda-f.com
GERMANY		
LAMBDA GmbH Karl-Bold-Straße 40 D-77855 Achern	Telephone: Facsimile: Web:	+49 (0) 78 41 666 0 +49 (0) 78 41 5000 www.lambda-germany.com
ISRAEL		
NEMIC LAMBDA LTD Kibbutz Givat Hashlosha 48800	Telephone: Facsimile: Web:	+972 (0) 3 902 4333 +972 (0) 3 902 4777 www.nemic.co.il
ITALY		
LAMBDA s.r.l. Via dei Laboratori 128/130, 20092, Cinisello Balsamo (Mi)	Telephone: Facsimile: Web:	+39 (0) 02 61 29 38 63 +39 (0) 02 61 29 09 00 www.lambda-italy.com
SWEDEN		
LAMBDA SCANDINAVIA PO Box 546, Rallarvägen 41 SE-184 25. Akersberga	Telephone: Facsimile: Web:	+46 (0) 8 598 94 090 +46 (0) 8 540 66 096 www.lambda-scandinavia.com
UK		
LAMBDA UK Kingsley Avenue Ilfracombe Devon EX34 8ES	Telephone: Facsimile: Web:	+44 (0) 1271 856666 +44 (0) 1271 864894 www.lambda-gb.com

LAMBDA NORTH AMERICA

visit www.lambdapower.com for a list of Lambda offices and distributors

LAMBDA ASIA

visit www.densei-lambda.com for a list of Lambda offices and distributors

LOCAL DISTRIBUTION

