

Precision High Voltage / High Power Resistors

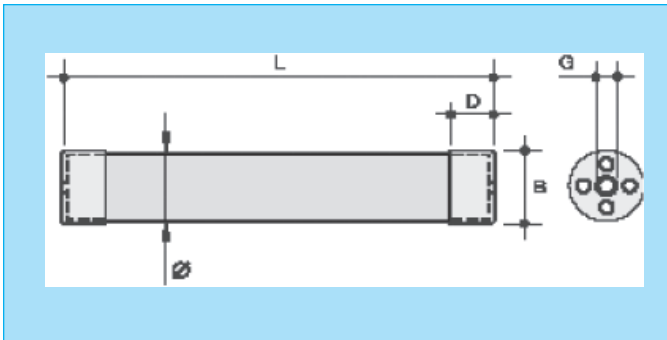
Series MTX 969

High Power and High Voltage Resistors up to 96 kV and 105 Watts

The MTX 969 resistor series is designed for the usage in voltage dividers, medical equipment, electrostatic devices, measuring equipment, current limiting devices, where high stability, low TCR, high ohmic values and high short-term loads are required.

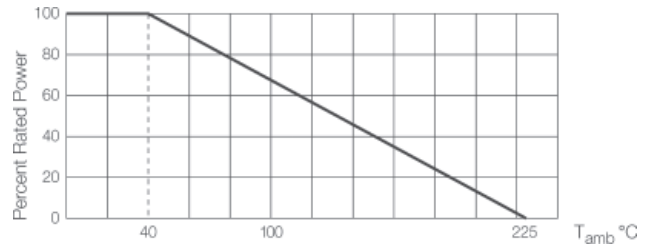
Specifications:

- Resistance Tolerance: $\pm 0.1\%$ to $\pm 10\%$
- Temperature Coefficient: $\pm 10\text{ppm}/^\circ\text{C}$ to $\pm 200\text{ppm}/^\circ\text{C}$
- Load Life: $\Delta R/R$ 0.5% max., 1000 hours at rated power
- Dielectric Strength: $> 1000\text{V}$ (25°C , 75% relative humidity)
- Thermal Shock: $\Delta R/R$ 0.25% max.
- Moisture Resistance: $\Delta R/R$ 0.25% max.
- Operating Temperature: -55°C to $+225^\circ\text{C}$
- Encapsulation: Conformal coating
- Lead Material: Nickel plated caps



Specifications Dimensions (mm)

Type	L	B	Ø	D	G
969.11	81 ±1	14.5 ±0.2	13.5 ±0.5	10 ±0.2	M4
969.23	156 ±2	14.5 ±0.2	13.5 ±0.5	10 ±0.2	M4
969.54	160 ±2	31.5 ±0.2	30.5 ±0.5	18 ±0.2	M8
969.71	210 ±2.5	31.5 ±0.2	30.5 ±0.5	18 ±0.2	M8
969.105	308 ±3.5	31.5 ±0.2	30.5 ±0.5	18 ±0.2	M8



Resistance Ranges

Type	P 40 °C Watt	U KVdc	Resistance Ranges		
			Tolerance 2 – 10% TC ppm / °C 150, 20	Tolerance 0.5 – 10% TC ppm / °C 50, 100	Tolerance 0.1 – 10% TC ppm / °C 15, 25
969.11	11	24	500 R – 5 G	500 R – 1 G	50 K – 500 M
969.23	23	48	700 R – 10 G	700 R – 1 G	100 K – 1 G
969.54	54	48	2 R – 10 G	2 R – 1 G	100 K – 1 G
969.71	71	64	20 R – 15 G	20 R – 1.5 G	100 K – 1.5 G
969.105	105	96	80 R – 25 G	80 R – 2 G	100 K – 2 G

In the above spec sheet, you will find our standard product, please contact your local manufacturing representative or call us direct to find out details of other options available regarding this style: