

# Power Resistors

## Series GXP 120, SOT 227

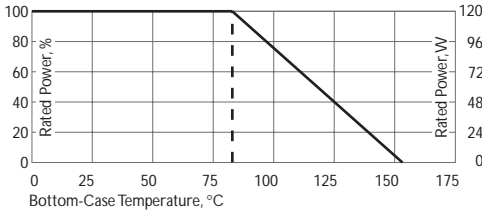
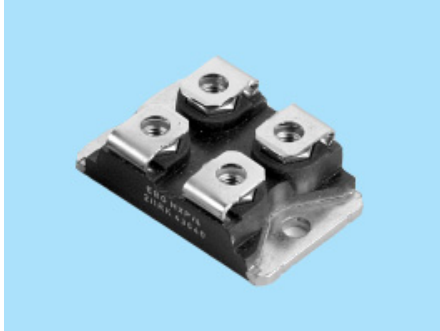
120 Watt Power Resistor in the "ISOTOP" Power Device (1x120W/2x50W/3x30W acc. Configurations)

Due to a non inductive design these elements are ideally suited for high frequency and pulse load applications. By direct mounting on a heatsink significant cost advantages can be realized. The type GXP can be supplied in a 2-terminal or 4-terminal version. Even triple resistors are available. Main applications are: Variable speed Drives, Power Supplies, Control Devices, Telecom, Robotics, Motor Controls and other switching designs.

Specials and custom designed components on request.

### Specifications

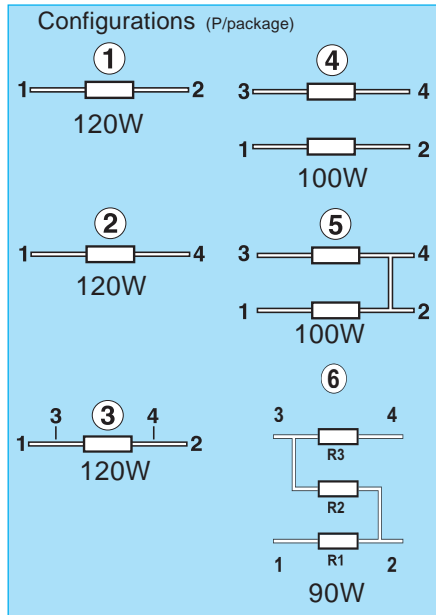
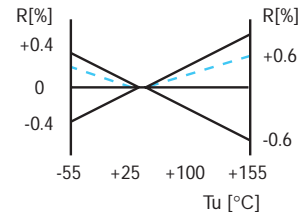
- Resistance Range: 0.1Ω to 1MΩ
- Tolerance: ±1%, 2%, 5%, 10%
- Temperature coefficient: ±50, ±100ppm, ±250ppm (at +105°C ref. to +25°C)
- Max. Work. Voltage: 500V (up to 1,000V on special request)
- Power Rating at 85°C: 120W (see derating)
- Partial Discharge: up to 2,000Vrms/80 pC
- Voltage Proof: Dielectric Strength up to 4,000V DC against ground
- Protection class: acc. to IEC 950/CSA22.2 950/M-89 and EN 60950.88: 2
- Heat Resistance to Cooling Plate:  $R_{th} < 0.35 \text{ K/W}$
- Capacitance/Mass: 45pF
- Working Temp. Range: -55°C to +155°C
- Max. Torque for Base Plate (static): 1.5 Nm
- Max. Torque for Contacts (static): 1.3 Nm. M4 screws



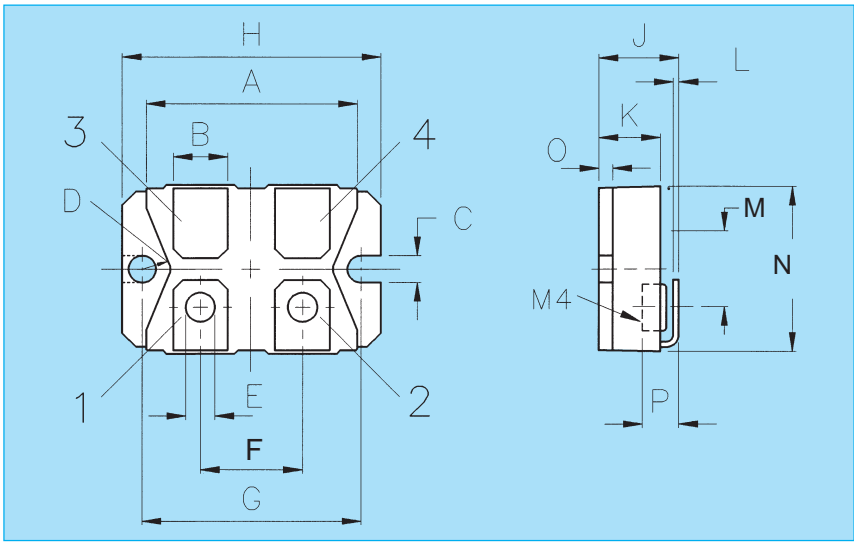
Derating (thermal resistance): 2.86W/°K (0.35°K/W).

Best results can be reached by using a thermal transfer compound with a heat conductivity of better than 1W/mK

### Typical TCR – Curve



Version 5: ohmic value between contact 2 and 4 = 3mΩ



Dim.	Millimeters		Inches	
	Min.	Max.	Min.	Max.
A	31.0	31.7	1.220	1.249
B	7.8	8.2	0.307	0.323
C	4.1	4.3	0.162	0.169
D	4.0	--	0.158	--
E	4.1	4.3	0.162	0.169
F	14.9	15.1	0.587	0.595
G	30.1	30.3	1.186	1.193
H	38.0	38.2	1.497	1.505
J	11.8	12.2	0.465	0.481
K	8.9	9.1	0.351	0.359
L	0.75	0.85	0.030	0.033
M	12.6	12.8	0.496	0.504
N	24.4	25.4	0.960	1.001
O	1.95	2.05	0.077	0.081
P	5.3	--	0.209	--

In the above spec sheet, you will find our standard product, please contact your local manufacturing representative or call us direct to find out details of other options available regarding this style: