

High Power Watercooled Resistor

Series MTX 969W

High Power Watercooled Single Resistors and Voltage Dividers up to 1000 Watts!

Our resistor series 969W is designed for usage in high power applications.

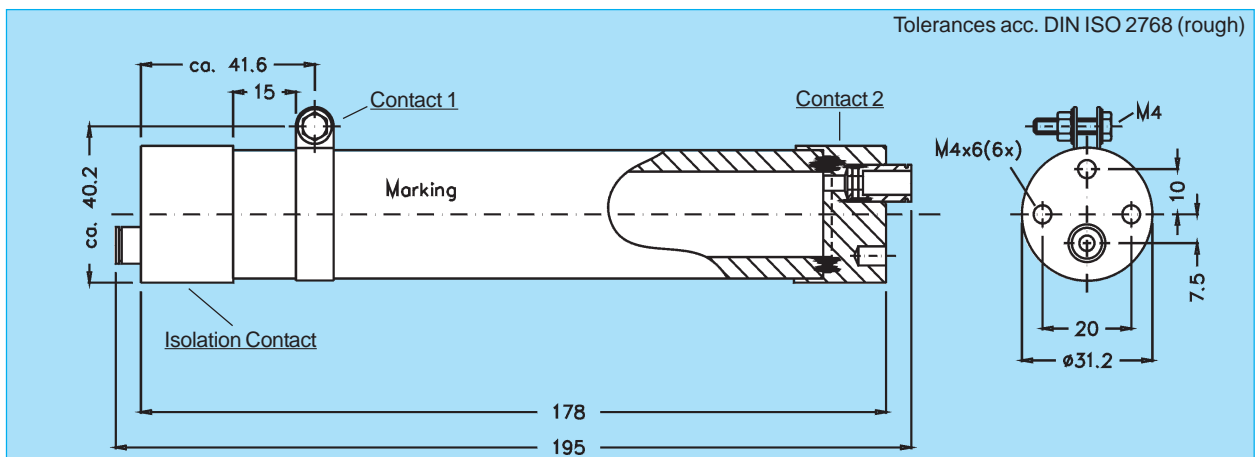
Due to the direct watercooling these resistors are good for a continuous power load up to 1,000 W (short time overload up to 2,000 W)!

The easy M4 mounting, wide ohmic range, precise tolerance and temperature coefficient values as well as a high dielectric strength capability are only some of the features of this resistor series. Also voltage dividers are possible!



Specifications:

Standard Resistance Values:	1Ω to 100KΩ (Resistor between Contact 1 and Contact 2)
Standard Resistance Tolerance:	10%
Temperature Coefficient:	±100ppm/°C (measured from +25°C to +85°C)
Power Rating:	1000 W (at cooling medium temp. < 50°C, flow >7l/min.)
Voltage Rating:	7 kV DC
Isolation Voltage:	10 kV DC (between Contact 1 and Isolation Contact)
Cooling medium:	distilled Water or distilled Water - Glycol mixture
Connecting type of cooling medium:	6mm tube
Max. Cooling medium pressure:	10 bar
Component weight:	0.4kg
Contacts material:	CrNi (stainless)



In the above spec sheet, you will find our standard product, please contact your local manufacturing representative or call us direct to find out details of other options available regarding this style: