

# Thick Film Precision Resistors Networks

## Also Custom Designed Elements Available

The same excellent performance that characterises the other EBG metal oxide types is also inherent in the various types of multiple METOXFILM circuits. Careful attention is devoted to the individual customer's design so as to not only comply with the requirements of resistance value, tolerance and TCR, but also power handling and stability during life, even under adverse conditions.

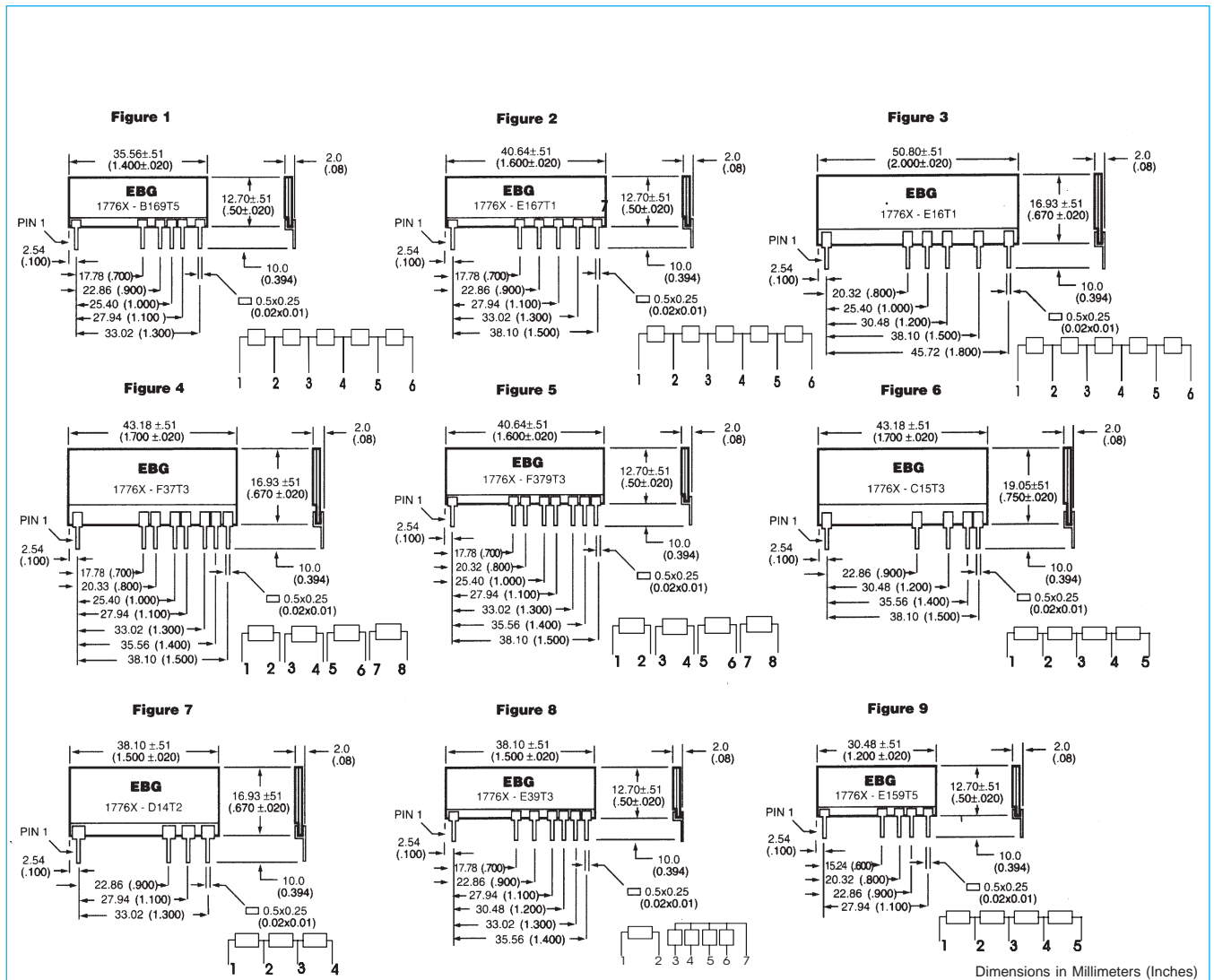
Most of EBG's multiple component

designs are computer generated, and therefore avoid any possibility of "hot spot" long time deterioration. In addition, trimming is accomplished in digital step fashion by computer controlled lasers, of which EBG has several from both American and European laser companies, thus permitting us to cover a wide range of requirements.

While EBG has developed a standard product line of voltage divider models as

shown here, we are also well suited to develop an exact custom designed circuit for you, employing high precision, high stability, low TCR and wide resistance range coverage without sacrifice of your important requirements.

We encourage you to consult our Applications Engineering Department with your special needs.



In the above spec sheet, you will find our standard product, please contact your local manufacturing representative or call us direct to find out details of other options available regarding this style: